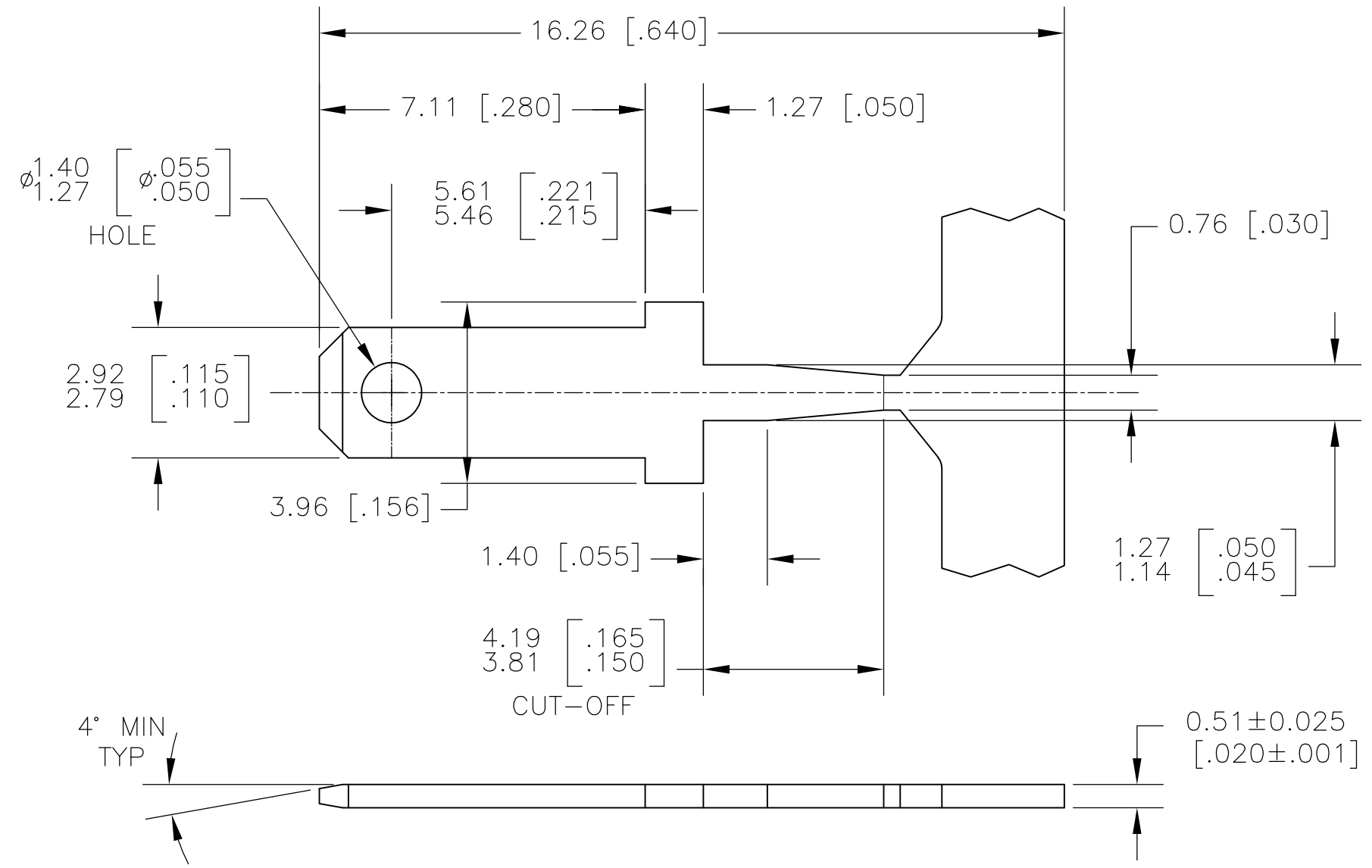


THIS DRAWING IS UNPUBLISHED. RELEASED FOR PUBLICATION
 © COPYRIGHT - By - ALL RIGHTS RESERVED.

LOC	DIST	REVISIONS					
AF	50	P	LTR	DESCRIPTION	DATE	DWN	APVD
			U	REVISED PER ECR-13-001204	19JUN13	KH	PD



- 1 CONTINUOUS STRIP ON REELS
- 2 PART TO MEET AMP SOLDERABILITY SPEC 109-11-2 (MILDLY ACTIVATED ROSIN)
- 3 FITS 1.22/1.11 [.048/.044] DIA HOLE IN PC BOARD. WHEN PLATED THRU HOLES ARE TO BE USED, ADJUSTMENT TO HOLE DIA'S SHOULD BE MADE TO ALLOW FOR THE PLATING.
- 4 PRELIMINARY - NOT FOR PRODUCTION, TO BE REELED ON PLASTIC REELS.
- 5 SPLICE FREE REELING.
- 6 0.00381 [.000150] MIN TIN OVER 0.00254 [.000100] MIN COPPER.
- 7 0.00381 [.000050] MIN TIN OVER COPPER.
- 8 OBSOLETE PARTS: OBSOLETE CIS STREAMLINING PER D.RENAUD/D.SINISI

8 OBSOLETE	6	5	62395-4
	6	4	62395-3
SUPERSEDED BY 62395-1	7	2	62395-2
	6		62395-1
	FINISH		PART NO.

THIS DRAWING IS A CONTROLLED DOCUMENT.		DWN	JR RUTH	12DEC00	TE Connectivity NAME TAB, FASTON, PC BOARD, 2.79 [.110] SERIES						
DIMENSIONS: MM [INCHES]		CHK	MS FEHER	12DEC00							
TOLERANCES UNLESS OTHERWISE SPECIFIED:		APVD	G PORTA	12DEC00							
0 PLC ± - 1 PLC ± - 2 PLC ± 0.25 [.010] 3 PLC ± - 4 PLC ± - ANGLES ± -		PRODUCT SPEC	-								
MATERIAL	BRASS	FINISH	SEE TABLE	APPLICATION SPEC	-		RESTRICTED TO	-			
CUSTOMER DRAWING				WEIGHT	-	SIZE	A3	CAGE CODE	00779	DRAWING NO	C-62395
				SCALE	8:1	SHEET	1	OF	1	REV	U